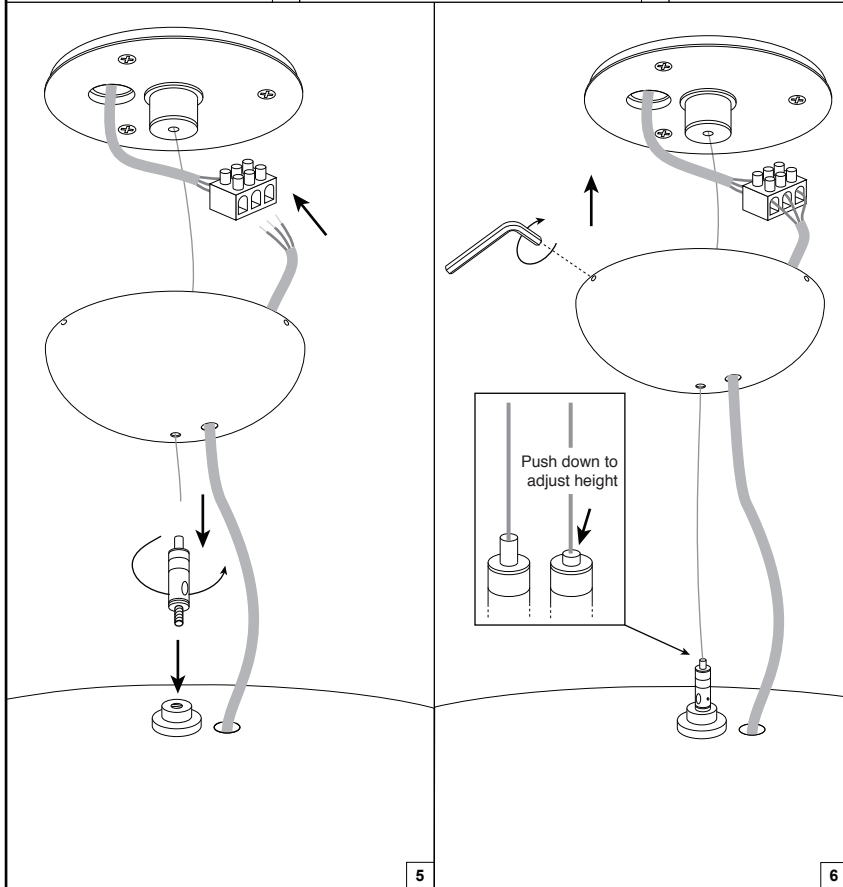
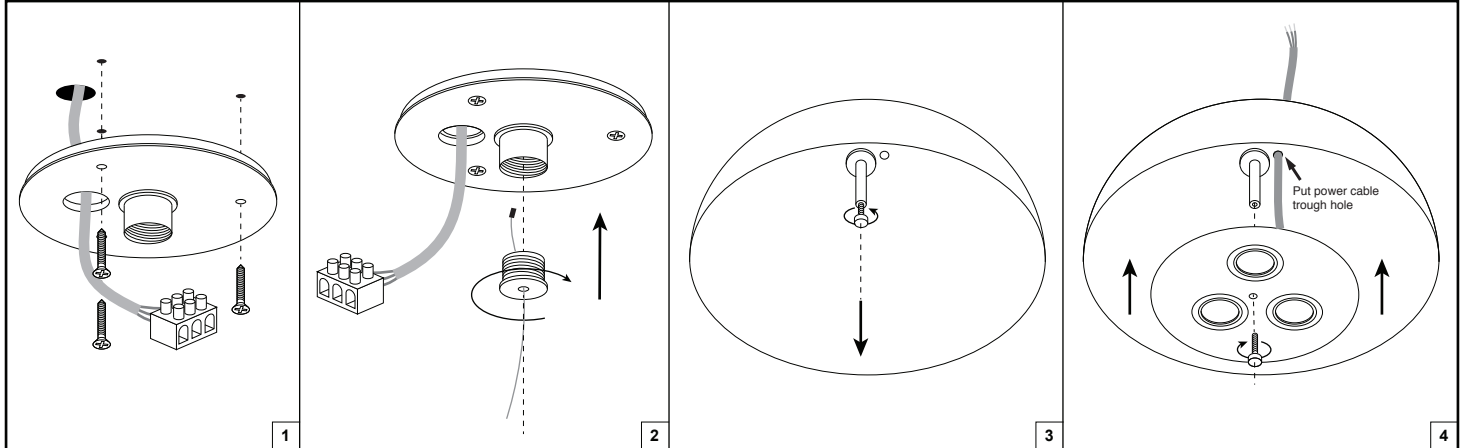


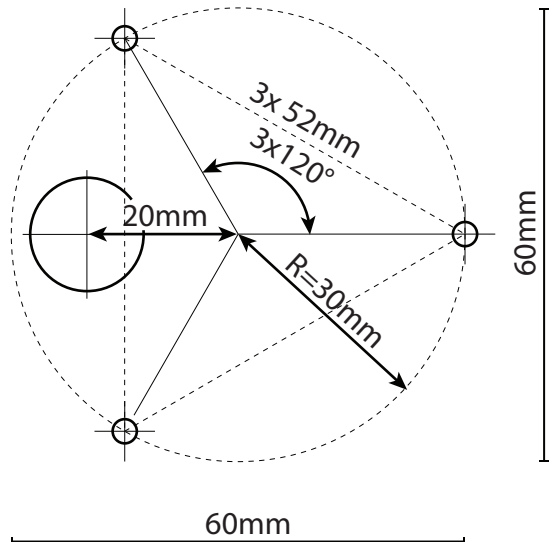
1. Pull cable trough ceiling mounting plate en fix mounting plate to ceiling using screws
2. Pull wire trough wire holder en screw wire holder onto the mounting plate
3. Remove the screw from the shaft inside the luminaire.
- 4A. Pull powercable through luminaire housing
- 4B. Attach downlight plate to the shaft
- 5A. Screw wire lock onto top of luminaire housing
- 5B. Pull suspension wire through ceiling box housing
- 5C. Insert suspension wire into wire lock on the luminaire
- 5D. Connect power supply
- 6A. Place ceiling box housing over ceiling mounting plate
- 6B. Attach ceiling box housing to ceiling mounting plate using screws on the side



**Drilling template**

(only to use if document is printed 1:1)

Please check if the "60mm" lines are exactly 60mm before using the template for drilling.



**Non dim & Mains dim**

Brown		L
Yellow-Green		PE
Blue		N

**1-10V dim**

Grey		1-10V -
Black		1-10V +
Yellow-Green		PE
Blue		N
Brown		L

**Touch & DALI dim**

Grey		DA - / N
Black		DA + / Push Btn L
Yellow-Green		PE
Blue		N
Brown		L

**Push dim**

Black		Push Btn L
Yellow-Green		PE
Blue		N
Brown		L

**DALI dim**

Grey		DA -
Black		DA +
Yellow-Green		PE
Blue		N
Brown		L

**⚠ Attention!!**

Always follow the instructions described in this document and store this document for future reference.  
Do not touch LED surface. Warranty void if LED contact has taken place.  
Only to be installed by a qualified electrician.  
Always make sure power is completely switched off when working on luminaire.  
**Doxis Lighting Factory NV cannot be held responsible for any damage caused by incorrect installation, modification, reparation or incorrect application/usage of the product.**

**Forward voltages and nominal drive currents are mentioned on the label supplied with the product or can be found in the technical datasheet of the product.**  
**Always use the correct driver.**  
**Always install the driver according to the wiring schematics supplied with the driver.**  
**Always check if multi-current drivers are set to the correct output current.**  
**Doxis Lighting Factory cannot be held responsible for damage caused by using the wrong driver.**